



NATURAL CLEANING SYSTEM



Instruction Manual

## THANK YOU!

Congratulations on your choice of the H<sub>2</sub>O e3™ Natural Cleaning System from Thane™, the super Effective, Economical and Eco-friendly, natural, yet powerful, cleaner, antibacterial and deodorizer!

The H<sub>2</sub>O e3™ Natural Cleaning System is the latest H<sub>2</sub>O™ innovation that will revolutionize the cleaning industry and the way you clean your home, forever! You can use it as cleaner, antibacterial and deodorizer for your entire home simply by transforming salt and drinking water into an electrolyzed cleaning solution. With just simple science, and electricity the H<sub>2</sub>O e3™ eActivator energizes the water you drink to create a natural all-purpose cleaning solution that we call S-Water™!

The H<sub>2</sub>O e3 S-Water™ is powered by the water you drink and super-charged with cleaning, antibacterial and deodorizing oxidants! To find out more about S-Water™ and to get the most out of your H<sub>2</sub>O e3™ Natural Cleaning System, please make sure to read this entire Instruction Manual before first use.

Thanks again for trusting the H<sub>2</sub>O™ brand from Thane™!

Thane™ and its affiliated companies assume no liability for personal injury or property damage resulting from the misuse of the H<sub>2</sub>O e3™ Natural Cleaning System, including the failure to comply with the instructions contained in this Instruction Manual or provided by the manufacturer or distributor of the treated surface.

IMPORTANT SAFETY INFORMATION IS ENCLOSED  
READ ALL INSTRUCTIONS BEFORE USING THE H<sub>2</sub>O e3™ NATURAL  
CLEANING SYSTEM

## S-Water™ EXPLAINED!

The passage of energy through clean water is very poor since water is not a good conductor of electricity. To make water conductive, common table salt (NaCl) is added and dissolved.

In our case, S-Water™ is produced by electrolysis of ordinary tap/drinking water (H<sub>2</sub>O; hydrogen and oxygen) containing dissolved table salt, sodium chloride (NaCl; sodium and chlorine). The result is an effective, economical and eco safe cleanser, antibacterial and deodorizer.

When an electrical current is applied to the salt water solution, the water and salt molecules are broken apart and combined into a few new molecules, including hypochlorous acid (HClO) and hypochlorite ion (-OCl).

The hypochlorous acid and hypochlorite ion molecules coexist in various ratios in S-Water™, and their amounts are dictated by the pH (acidity vs alkalinity) of the S-Water™.

Hypochlorous acid is a known sanitizing, bacteria killing and deodorizing agent (or oxidant), and is the same substance our white blood cells produce to keep our immune system healthy. The sodium hydroxide (NaOH) found in electrolyzed water is a type of detergent, is used in wide range of products in various concentrations (toothpaste, all-purpose cleaners, etc) and it provides optimal conditions for the cleaning action of the hypochlorite ion, another powerful oxidant.

These molecules exist in very safe and non-toxic amounts in S-Water™ we generate with the H<sub>2</sub>O e3™ eActivator, but are still enough to make it a very effective cleaner, antibacterial and deodorizer

The oxidants, or oxidizing agents, work by OXIDATING (breaking down) and eliminating dirt, bacteria and odors!

The pH of the resulting electrolyzed water is an important factor in understanding how S-Water™ works and it is affected by the concentration of salt, the current and amount of time the current is running. By varying these factors, the S-Water™ can be made more alkaline (better cleaning) or acidic (better antibacterial effect).

The S-Water™ pH we achieve with just salt and water is in the neutral/mildly alkaline range so that we get a very effective cleaning agent that provides good antibacterial effect. Plus, we have the option of adding vinegar, after the S-Water™ is produced, to make it more acidic for an even better antibacterial effect. The vinegar lowers the pH (and increases acidity) of the S-Water™ so that better antibacterial effect can be achieved!

## WARNINGS AND CAUTIONS

PLEASE READ ALL PRODUCT INSTRUCTIONS CAREFULLY. FAILURE TO FOLLOW THE PRODUCT INSTRUCTIONS WILL VOID YOUR WARRANTY.

USE YOUR H2O e3™ NATURAL CLEANING SYSTEM ONLY AS DIRECTED IN THIS MANUAL AND ONLY WITH THE MANUFACTURER'S RECOMMENDED ACCESSORIES.

AS WITH ANY ELECTRICAL APPLIANCE, BASIC PRECAUTIONS SHOULD ALWAYS BE OBSERVED WHEN USING THIS PRODUCT, INCLUDING THE FOLLOWING:

**When using the H2O e3™ Natural Cleaning System basic safety precautions must always be followed:**

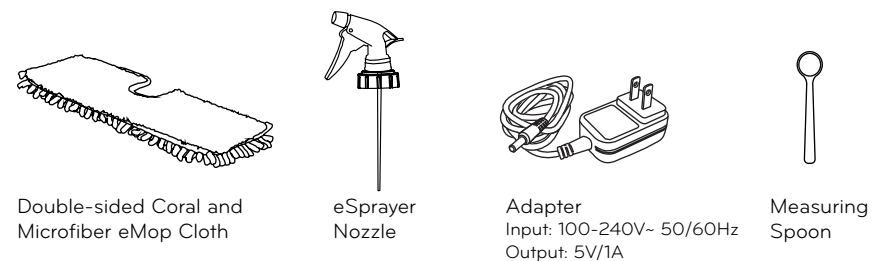
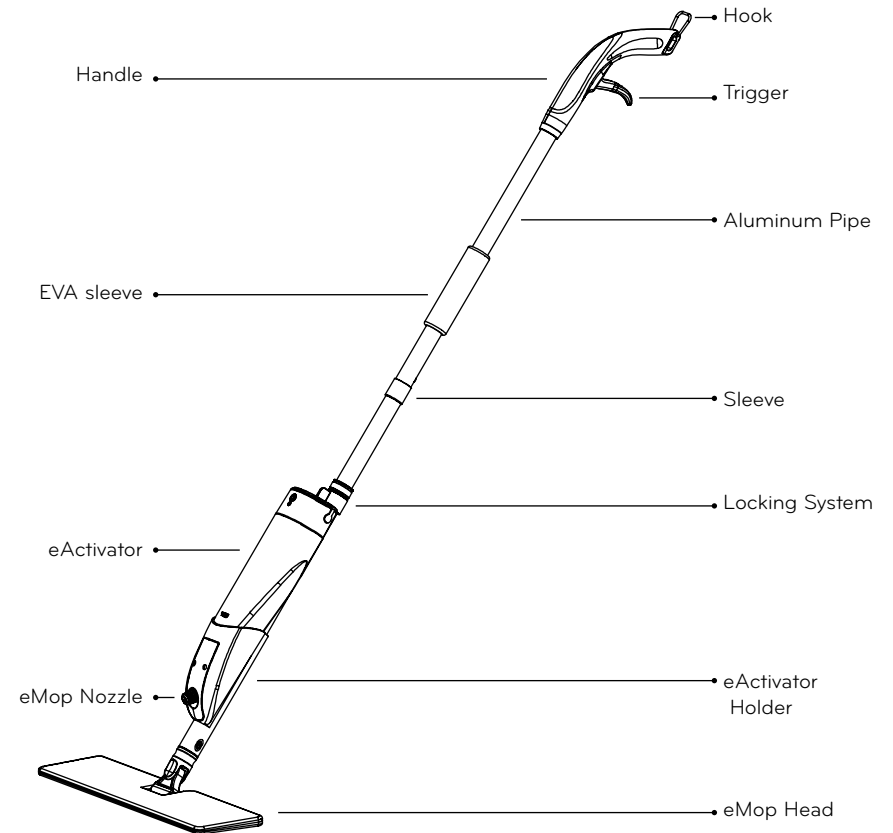
1. Read all instructions before operation
2. Always follow ALL safety precautions and Instruction Manual directions when working with H2O e3™ Natural Cleaning System and S-Water™.
3. Verify that the voltage indicated on the adapter rating label corresponds with the voltage of your electrical outlet.
4. This appliance is designed for household use only. Commercial use of the H2O e3™ Natural Cleaning System voids the manufacturer's warranty.
5. Always unplug the H2O e3™ eActivator when cleaning or performing any other user maintenance.
6. Do not drink the S-Water™ after electrolysis is done.
7. Do not use hot water to make S-Water™, and do not heat or boil the finished S-Water™.
8. Always use the amount of salt and vinegar as per the instructions in this manual. Do not add more as this can create excessive fumes and cause breathing difficulties.
9. When making S-Water™, do not use distilled water and always use regular table salt and white vinegar.

10. Do not add any ingredients, before or after electrolysis, except for those stated in this Instruction Manual. Fragrances or scented oils will diminish the cleaning and bacteria killing effectiveness of the S-Water™.
11. Always use regular table salt to make S-Water™. Using other kinds of salts, like Epsom salts, will not yield S-Water™ and the resulting solution will not be an effective cleaner or bacteria killer.
12. Never electrolyze cleaners, sanitizers or any other flammable, explosive or toxic solution. Electrolysis shall only be supplied to water, salt and vinegar as instructed in this Instruction Manual.
13. Never mix ammonia products with S-Water™. This practice may produce toxic fumes that can cause breathing difficulties
14. Do not mix S-Water™ with acidic toilet bowl cleaners as this can result in toxic fumes causing breathing difficulties.
15. Do not mix S-Water™ with any other cleaners.
16. Keep this appliance and its cord out of the reach of children younger than 8 years old.
17. This appliance can be used by children aged 8 years and above and by persons with reduced physical, sensory or mental capabilities or lack of experience and knowledge ONLY IF they have been given supervision or instruction concerning use of the appliance in a safe way and understand the hazards involved.
18. Cleaning and user maintenance shall not be made by children unless they are older than 8 years old and supervised by a responsible adult.
19. Children shall not play with this appliance.
20. Do not use this appliance with a damaged cord or adapter. If it is not working as it should, or if it has been dropped, damaged, left outdoors, or immersed in water, return it to the distributor. If the supply cord is damaged, it must be replaced by the manufacturer or a qualified repair facility to avoid hazard.

21. If the supply cord on the adapter is damaged, it must be replaced by the manufacturer or its service agent or a similarly qualified person in order to avoid a hazard.
22. Never force the plug into an outlet or pull or carry the unit by the cord. Do not use the cord as a handle, close a door on the cord or pull the cord around sharp edges or corners. Keep the cord away from heated surfaces.
23. Do not use extension cords or outlets with inadequate current-carrying capacity, and in order to avoid circuit overload, do not operate another appliance on the same socket (circuit) as the H2O e3™ eActivator.
24. Do not operate the H2O e3™ Natural Cleaning System if it, or any of its parts, have been damaged in any way.
25. To reduce the risk of electric shock, unplug the adapter from the outlet when not in use.
26. Never use the H2O e3™ Natural Cleaning System in frost or temperatures above 50°C/122°F or humid or wet locations.
27. S-Water™ might cause corrosion or damage on unprotected, corrosion prone, metals so it is advisable to wipe them off after application.
28. Do not use H2O e3™ Natural Cleaning System on unsealed wood floors, carpet, leather, clothing, or any other fabric or soft materials. Continuous use will cause discoloration/fading of color of these materials over time.
29. To avoid leakage, check the following points after filling the H2O e3™ eActivator with water:
  - Make sure the e3™ eActivator cap is sealed properly and twisted on tight.
  - Check that the eActivator base is fixed properly onto the eActivator water tank.
  - Check the Valve Cap Assembly on the eActivator and make sure it is sealed.
30. Do not use this appliance for anything other than its intended use.

SAVE THESE INSTRUCTIONS  
FOR HOUSEHOLD USE ONLY

## H2O e3™ NATURAL CLEANING SYSTEM DIAGRAM



## OPTIONAL ITEMS



## ASSEMBLY INSTRUCTIONS

1. Install the eMop Head onto the eActivator Holder, as shown in figures a) and b) below.

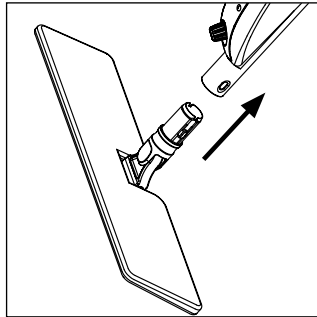


Figure a)

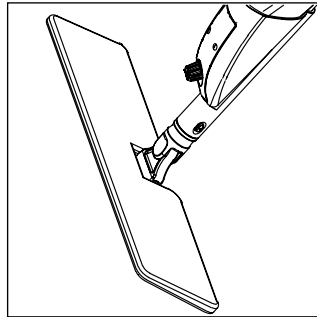


Figure b)

2. Connect the two aluminum pipes as shown below in figures c), d), and e).

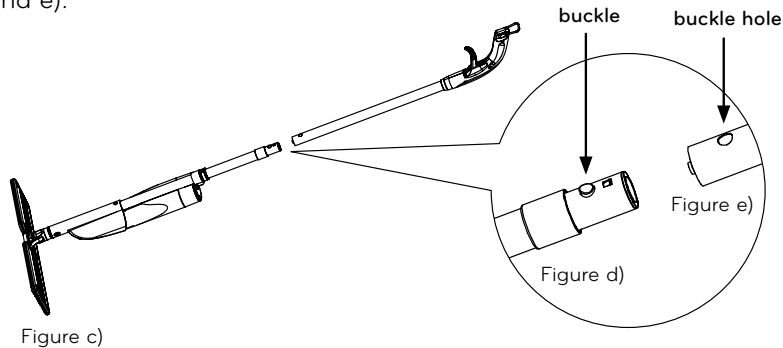


Figure c)

NOTE: The buckle hole on the upper aluminum pipe should be aligned with the buckle on the bottom aluminum pipe when connecting. Make sure that the buckle clicks into the buckle hole for secure assembly.

## USER INSTRUCTIONS

1. Fill the eActivator, shown in figure g) below, with 450ml of regular tap/drinking water.
  - ⚠ WARNING** Do not use hot or boiling water to make S-Water™, and do not heat or boil the finished S-Water™.
2. Add one spoon (provided with unit), which equals to 3g, of regular, table salt.
3. Close the eActivator cover and shake it for a few seconds, until all the salt is dissolved. Then place the eActivator on a level surface.

NOTE: For optimal results, make sure to shake the water and salt solution until all the salt is dissolved. This will make the S-Water™ more concentrated with the cleaning, antibacterial and deodorizing oxidants.

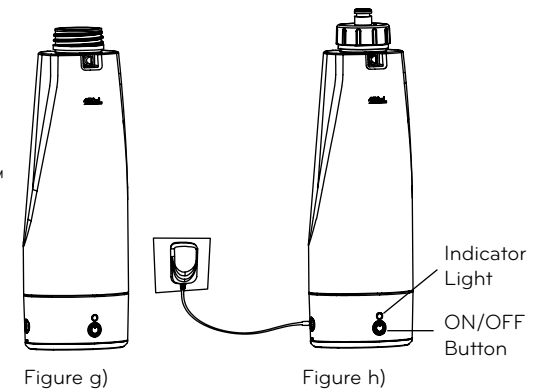


Figure g)

Figure h)

4. Plug in the Adapter into the eActivator, and then press the ON/OFF button, see figure h) above. The red indicator light will turn red and the electrolysis process will begin.

NOTE: The electrolysis process is preprogrammed to run for 10 minutes, and it will automatically stop after 10 minutes of electrolysis.

5. Once the electrolysis process is done and 10 minutes has passed, the indicator light will turn green, indicating the electrolysis process is complete and the S-Water™ is ready for use.

6. Optional: To create an even more effective antibacterial version of the S-Water™, after the electrolysis process is done, add one spoon of white vinegar (0.21ml) to the eActivator and shake to mix it in.
  - NOTE: The generated S-Water™ (with or without vinegar) will be effective for 1-2 weeks. After two weeks, its effectiveness will be lowered considerably.

**⚠ WARNING** Do not drink, heat, or mix the generated S-Water™ with any cleaning or sanitizing products and keep it out of reach of children.

### For Floor Cleaning/Mop Use:

7. Insert the eActivator into the eActivator Holder as shown in figures i), j) and k) below. Then, turn eActivator locking mechanism to secure the eActivator in place, see figure k).

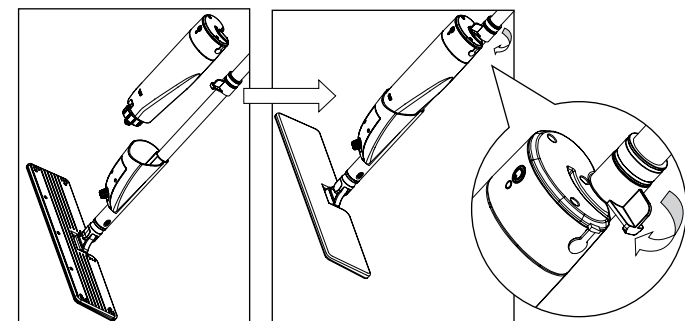


Figure i)

Figure j)

Figure k)

- Place the Double-sided eMop Cloth onto the eMop Head and press the trigger, shown in Figure l), upwards, in order to spray the S-Water™ from the eMop Nozzle\* onto the floor.

\*NOTE: Turn the eMop Nozzle in either direction, as shown in Figures l) and m) below and choose between a more concentrated or wide spray mode.

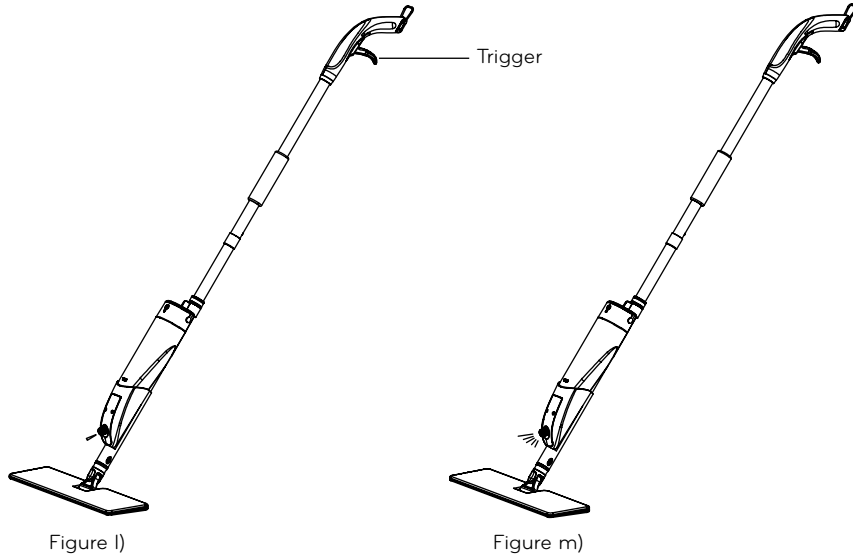


Figure l)

Figure m)

#### For Spray Bottle Use:

- Place eSprayer Nozzle, shown in Figure n), onto the eActivator.

\*NOTE: Turn the eSprayer Nozzle Head in either direction, as shown in Figures o) and p) below and choose between a more concentrated or wide spray mode.

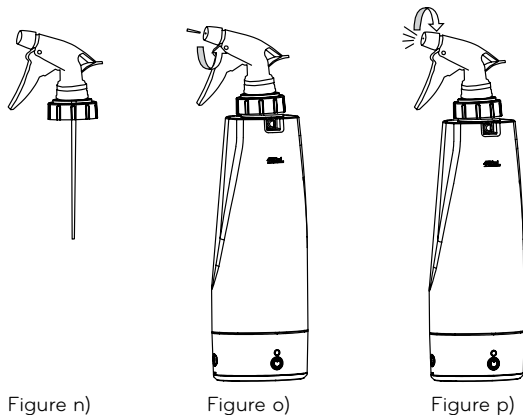


Figure n)

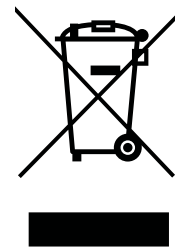
Figure o)

Figure p)

## CLEANING & MAINTENANCE

- The Double-sided eMop Cloths are machine washable or they can be rinsed under tap water. Always, make sure they are completely dry before next use.
- The H2O e3 eMop can be cleaned with a damp cloth.
- The inside of the H2O e3 eActivator can be cleaned thoroughly with vinegar. Place approximately 50ml of vinegar and 200ml of water into the eActivator, close the eActivator cap and shake the contents. Let the water/vinegar solution sit inside the eActivator for 20 -30 min. Empty the eActivator, rinse thoroughly with regular tap water and use new water to make the next batch of S-Water™. If necessary repeat the cleaning process or let the water/vinegar solution sit longer inside the eActivator until limescale is completely removed from the metal mesh. In areas with hard water limescale removal should be done more frequently.
- It is recommended to clean the inside of the eActivator if it is used for electrolysis more than once. For example, if you are making multiple batches back to back and having the electrolysis process run for more than 15-20 minutes, add vinegar to the water tank after use and shake it and soak the metal electrolysis net for about 3 minutes. After cleaning with vinegar, rinse it thoroughly with regular tap water again.

## CORRECT DISPOSAL OF THIS PRODUCT



This marking indicates that this product should not be disposed with other household wastes throughout the EU. To prevent possible harm to the environment or human health from uncontrolled waste disposal, recycle it responsibly to promote the sustainable reuse of material resources. To return your used device, please use the return and collection systems or contact the retailer where the product was purchased. They can take this product for environmentally safe recycling.



**Distributed by:**

Thane Canada Inc.  
Mississauga ON L4W 5M6, Canada  
[www.thane.ca](http://www.thane.ca)

Thane USA, Inc.  
Canton OH 44718, U.S.A.  
[www.thane.com](http://www.thane.com)

Thane Direct UK Limited  
+44 (0)20 3455 8520  
[www.thane.tv](http://www.thane.tv)

Danoz Direct Pty Ltd.  
Bondi Junction, NSW, 2022, Australia  
[www.danoz.com.au](http://www.danoz.com.au)

OPERADORA AINO A SAPI DE CV  
Av. Magnocentro No. 5 Piso 1 Col. Centro Urbano Interlomas  
Municipio Huixquilucan de Degollado, Huixquilucan, Estado de México. C.P: 52760  
[www.mejorcomprativ.com](http://www.mejorcomprativ.com)

TVNS Scandinavia AB  
SE-211 74 Malmö, Sweden  
[www.tvins.com](http://www.tvins.com)

---

© 2019 Thane IP Limited.

"Thane", "H2O e3" and related logos and variations are trademarks or registered trademarks, in Canada and/or other countries, of Thane IP Limited and/or its affiliated companies.