



ELLIPSETM

BY LEGXERCISE



Instructions

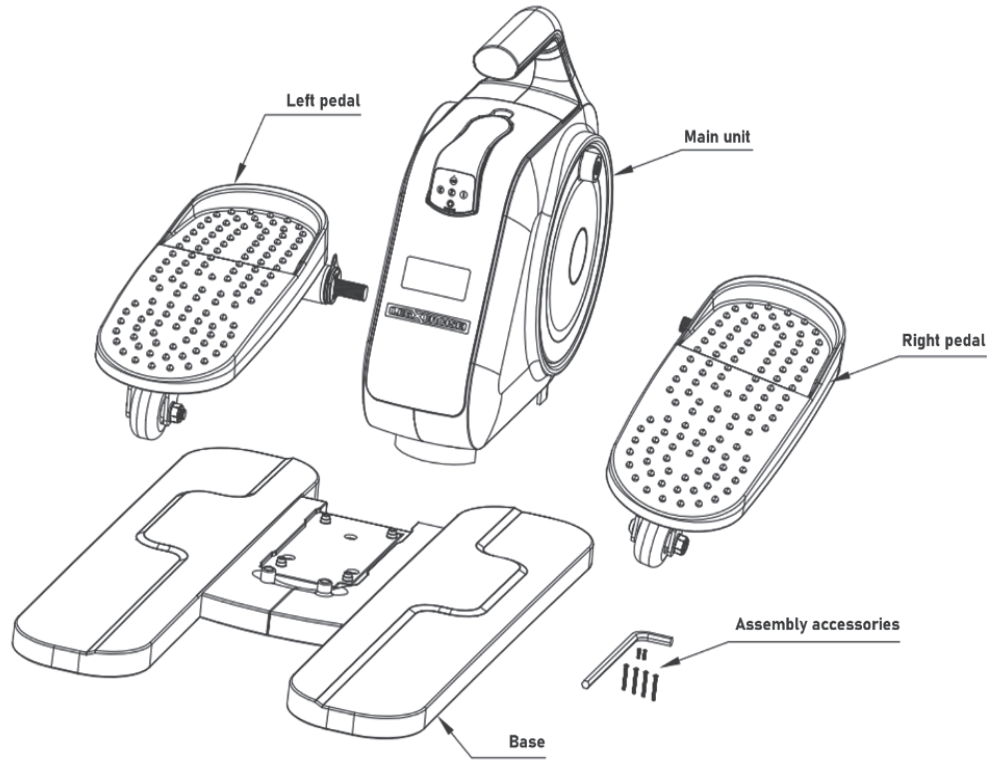


Ellipse By Legxercise is the new revolutionary Legxercise elliptical that keeps your legs in movement while you are sitting, working at your office desk, watching TV etc. It effortlessly keeps your legs moving, anytime, anywhere.

- Up to 165 steps per minute.
- Moves forward and reverse.
- 3 speed levels in each direction.

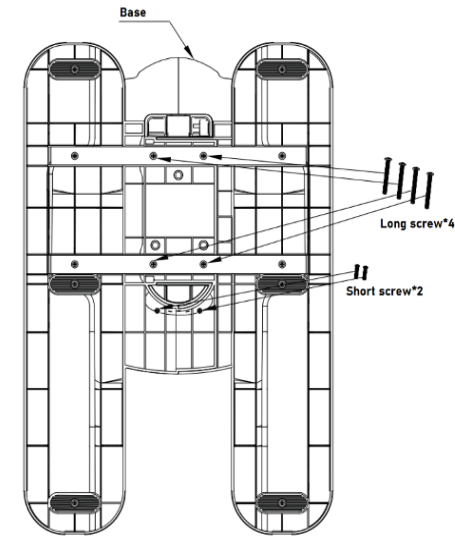
Speed one: 105 steps per minute
 Speed two: 140 steps per minute
 Speed three: 165 steps per minute

Assembly Instruction



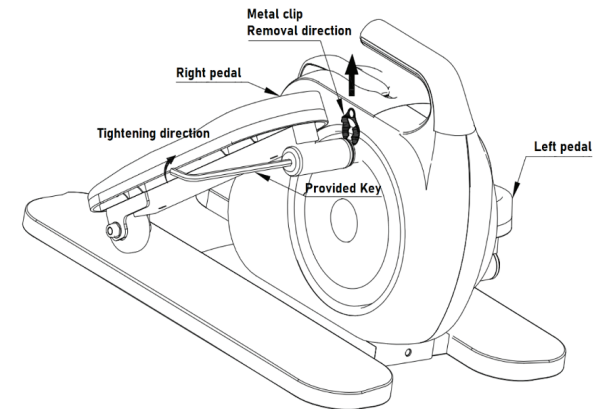
Step one:

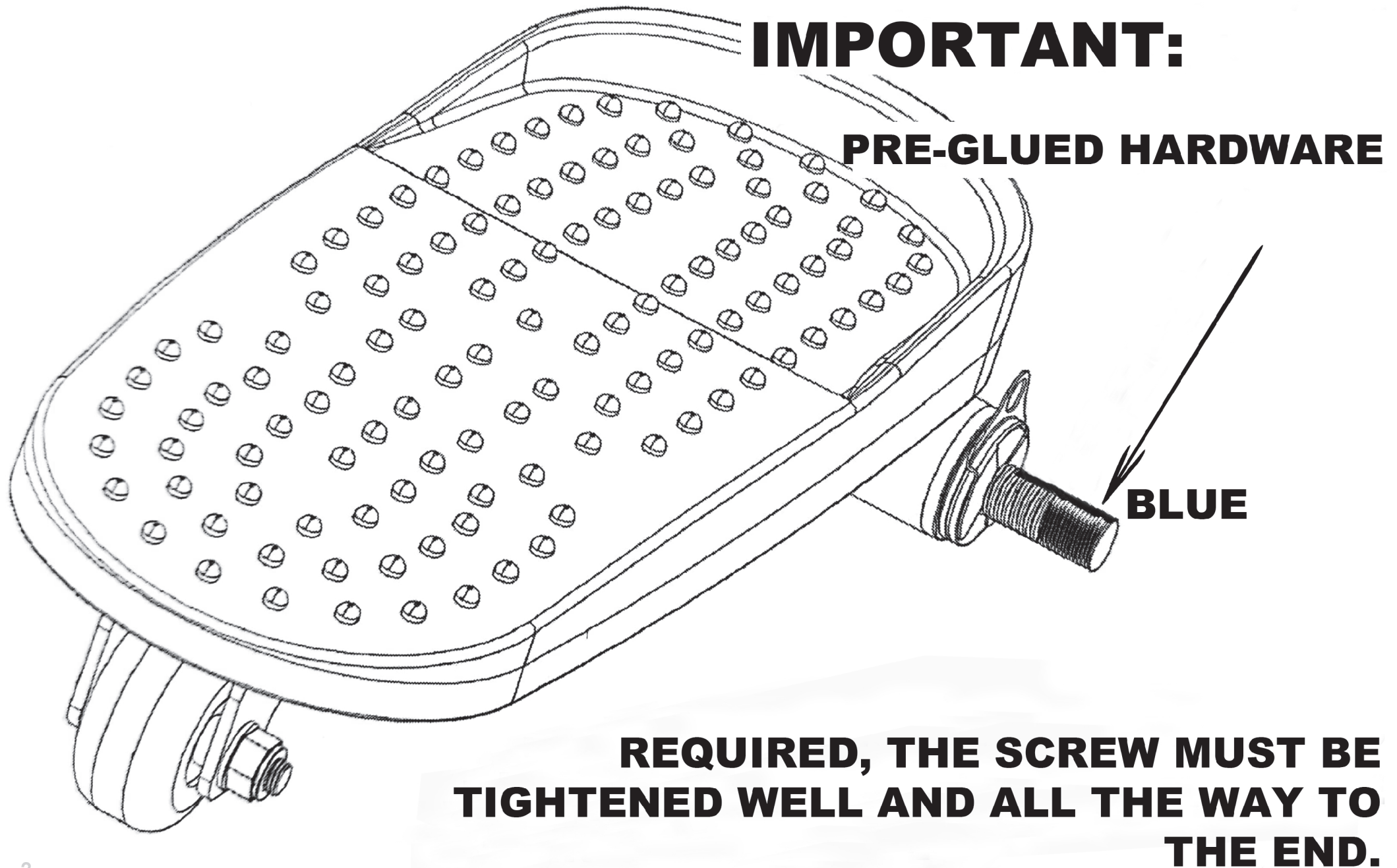
Please take out everything within the Ellipse By Legxercise box, make sure nothing is left inside.



Step two:

Secure the main unit and the base together by using the six screws provided within the assembly accessory pack.





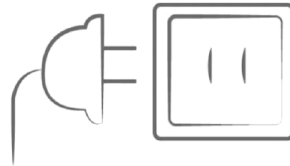
Step three:

Use the Allen wrench provided within the assembly accessory pack to secure left and right pedals onto the main unit.

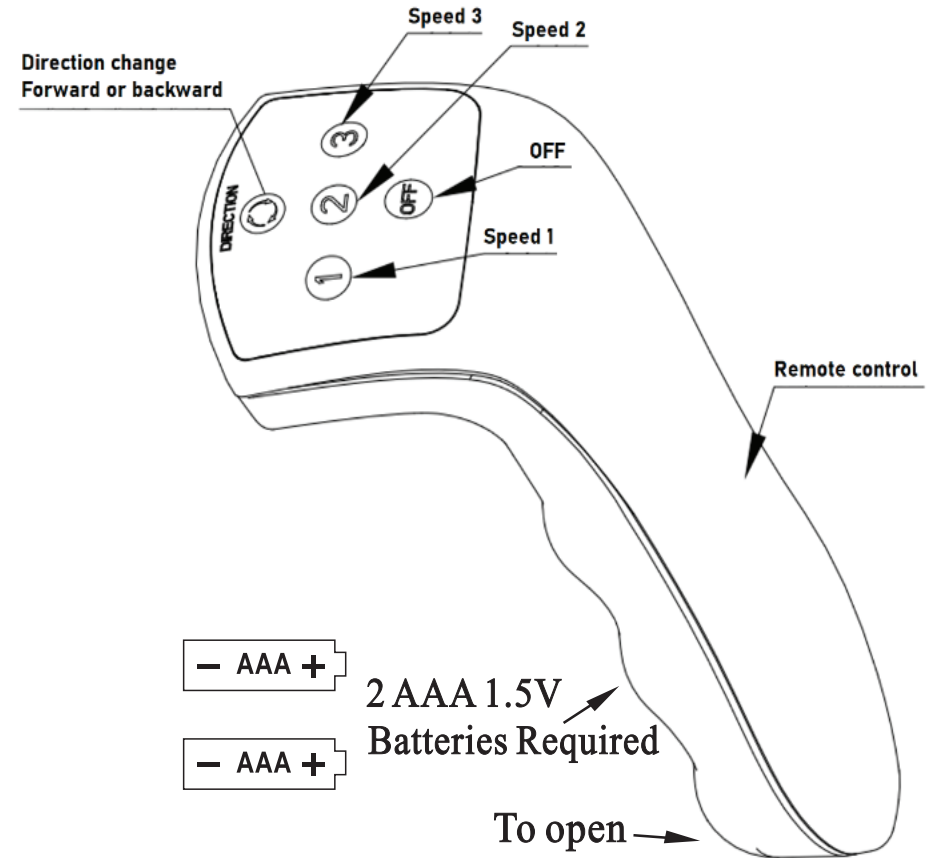
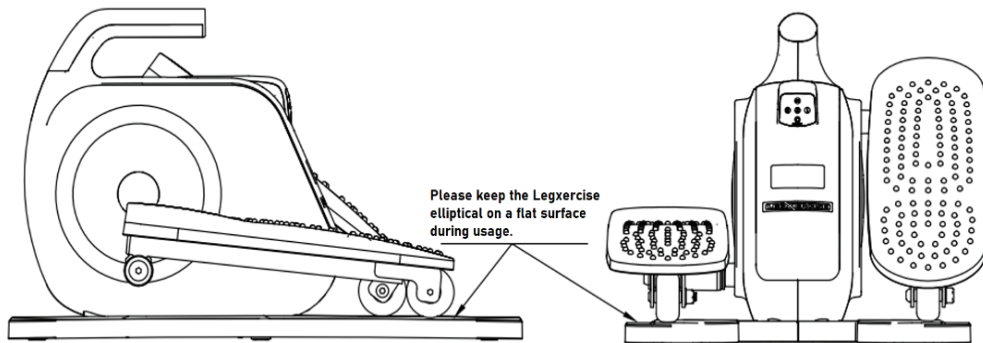
ATTENTION: REMOVE THE METAL CLIP BEFORE FINAL TIGHTENING AND MAKE SURE THE WASHERS STAY ALIGNED AS YOU FINISH TIGHTENING.

Operation Instruction

Connect the power adapter provided to your Legxercise elliptical, then plug in the power adapter to a 120V power source.



Place your feet onto the pedals of the Legxercise elliptical, select your desired speed level on the remote control and sit back and relax.

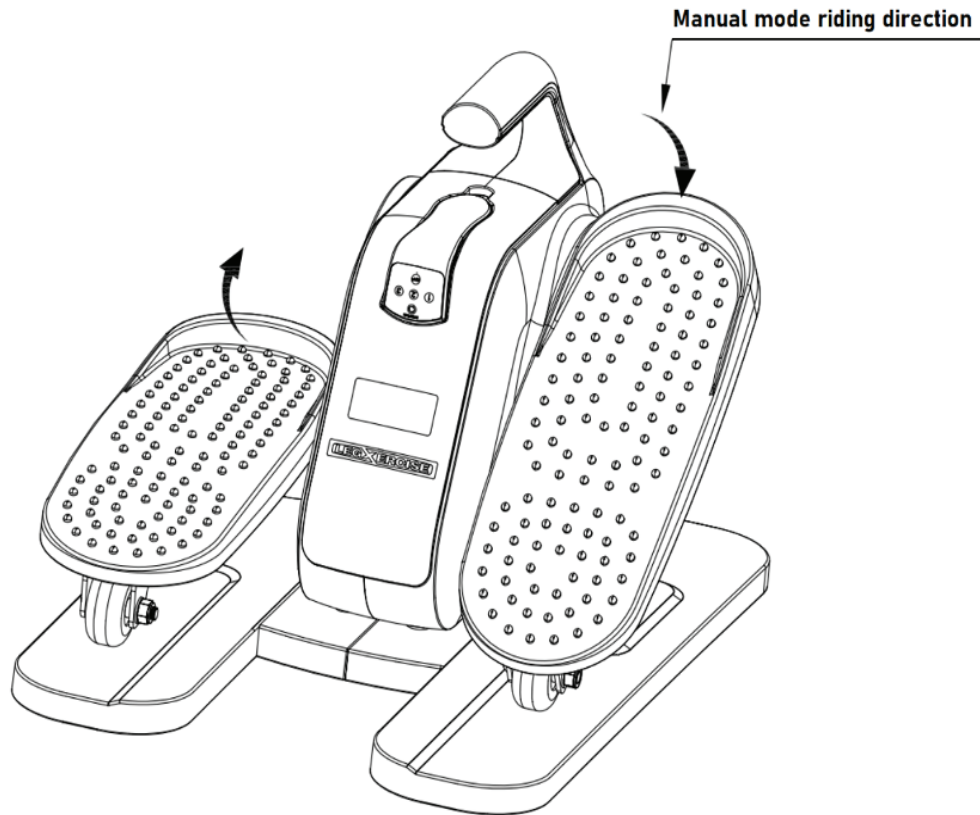


During operation, your Legxercise elliptical will count each rotation of the foot plates, once you reach 9,999 steps, the device will stop automatically. If you wish to continue, just select your desired speed and your Legxercise elliptical will reset to zero and start counting again.

Manual Push Mode:

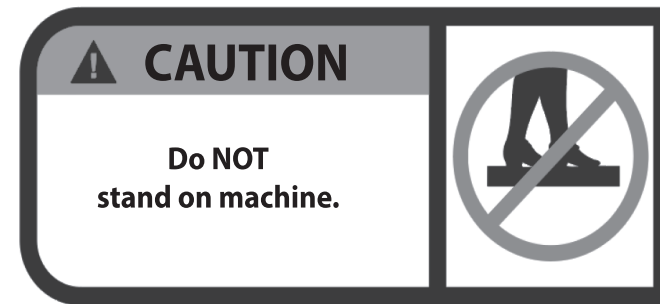
Unplug the power adapter from the power source, place your feet onto the pedals and push them like a bicycle in the forward direction:

Your Legxercise elliptical will also count your steps during manual push mode operation (forward only), but the step counter display will auto off once you stop riding.



WARNING:
PLEASE KEEP FINGERS AWAY FROM ROTATION MECHANISM AT ALL TIMES.
PLEASE UNPLUG IF NOT IN USE.

ELLIPSE BY LEGXERCISE IS DESIGNED FOR SEATED USE. DO NOT STAND ON THE MACHINE, YOU WILL DAMAGE THE ROTATION MECHANISM AND MAY INJURE YOURSELF.



Product Name: Ellipse By Legxercise

Model No.:LEGX-013

Company Name:IntelliBrands, LLC.

Customer service address:9905 NW 17th Street, Suite 108,Miami,
FL 33172, USA

CAUTION:

a) The maximum weight:100KG

b) Field of application: Indoor use,HC

c) Indication that the free area shall be not less than 0,6 m greater than the training area in the directions from which the equipment is accessed. The free area must also include the area for emergency dismount.

Where equipment is positioned adjacent to each other the value of the free area may be shared.

d) Keeping unsupervised children away from the equipment is important.

e) Adjust your position according to your footstep.

f)To avoid interfere with the user's movement,please place the remote control on the stand or hold it in your hand.